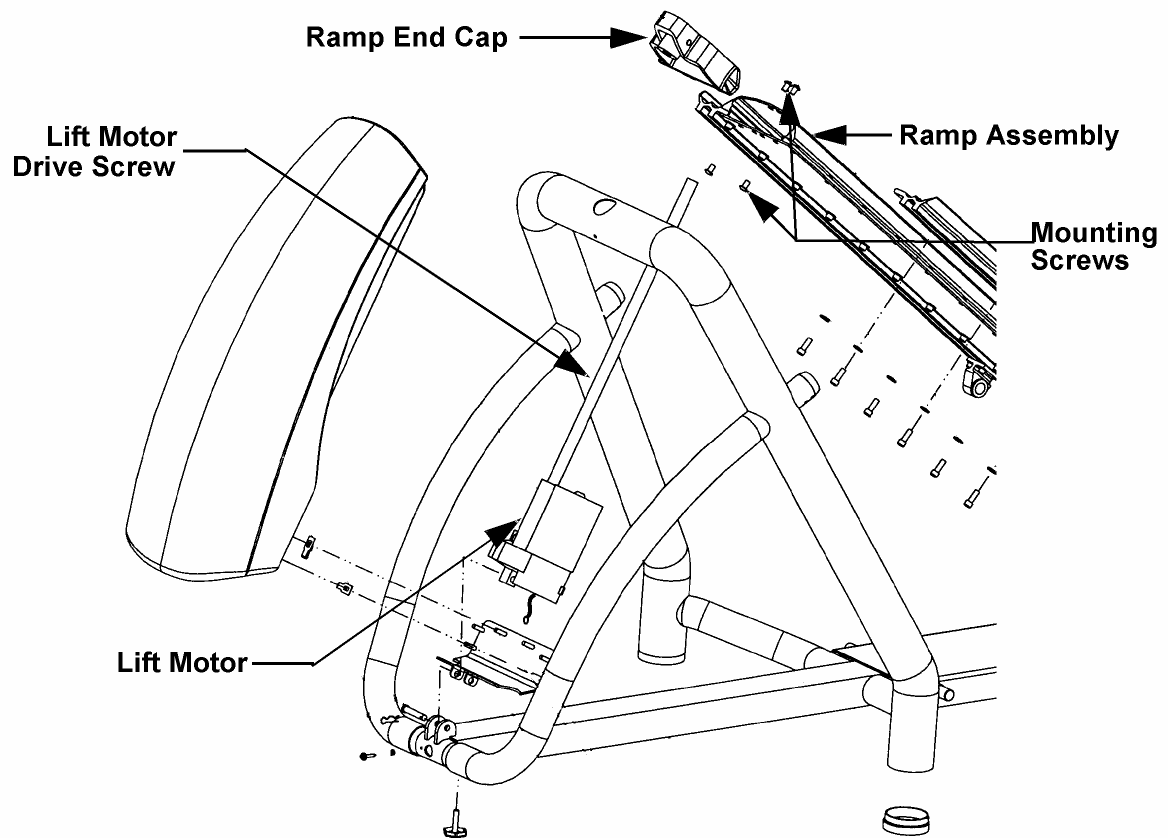


Procedure 5.2 - Calibrating the Lift Motor (version 1,2)

1. In order to correctly calibrate the lift the unit's software version must be known. If the unit's software version is not known, access the software version per Procedure 3.3.
2. In order to calibrate the lift motor, it is necessary to disconnect the lift motor from the ramp assembly.
3. Set the on/off switch in the 'off' position. Remove the screws that retain the front cover and remove the front cover.
4. Remove the four screws that retain the ramp end cap to the ramp assembly. Support the lift motor and ramp assembly as you separate the ramp end cap from the ramp assembly. Lower the ramp assembly until it is resting on the frame. (See Diagram 5.1)

Diagram 5.1 - Lift Motor Mounting



5. Do not remove the ramp end cap from the lift motor drive screw.
6. Set the on/off switch in the 'on' position. Enter the diagnostics routine per Procedure 3.2. After the L.E.D. test is complete, power bits will be displayed. Press the **ENTER** key to display the lift calibration number.

7. If the unit is equipped with software version 1.13 or less, continue with step 7. If the software version is 1.14 or greater, skip to step 10.
8. Operate the **CROSSRAMP ▲** or **CROSSRAMP ▼** keys as required to set the lift calibration number to 200.
9. Rotate the ramp end cap on the lift motor drive screw until the distance from the upper surface of the plastic nut in the ramp end cap to the end of the lift motor drive screw is 1-1/2". If the lift motor drive screw rotates the lift calibration number will no longer be 200. The lift calibration number must be 200 and the distance measurement must be correct for the lift calibration to be correct.
10. Set the on/off switch in the "off" position. Do not exit the diagnostic program in the normal manner. Exiting the diagnostic program will cause the lift to self center and invalidate the lift calibration just performed. Skip to step 13.
11. Operate the **CROSSRAMP ▲** or **CROSSRAMP ▼** keys as required to set the lift calibration number to 139.
12. Rotate the ramp end cap on the lift motor drive screw until the distance from the upper surface of the plastic nut in the ramp end cap to the end of the drive screw is 10". If the lift motor drive screw rotates the lift calibration number will no longer be 139. The lift calibration number must be 139 and the distance measurement must be correct for the lift calibration to be correct. See Diagram 5.2.
13. Set the on/off switch in the "off" position. Do not exit the diagnostic program in the normal manner. Exiting the diagnostic program will cause the lift to self center and invalidate the lift calibration just performed.
14. Raise the ramp assembly to a convenient height and slide the ramp end cap into the ramp assembly. Hand tighten the four ramp end cap mounting screws and then torque them to 100 in/lbs.
15. Set the on/off switch in the "on" position. Thoroughly test all lift related functions per Section Four.
16. Set the on/off switch in the "off" position, replace the front cover per Procedure 7.1.

Diagram 5.2 - Lift Motor Calibration (Version 1,14 or greater)

